

LaserLight2™

Four-inch, Six-inch, Four-inch Stop/Go Remote Display



Standard Features

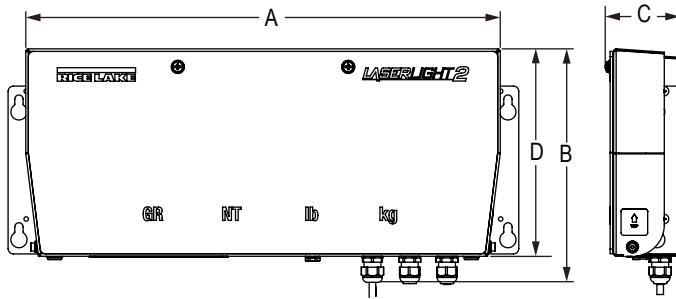
- Six high-intensity red digits (double-row discrete LED)
- Auto Learn mode of communication protocols
- Hold displayed weight (demand input)
- Software selectable standstill mode for no updates while in motion
- Durable weathertight IP66 enclosure
- Adjustable daylight/night intensity
- Non-glare contrast filtered lens
- Mirror (reverse image) feature
- RS-232, 20 mA and RS-485 communications
- Auto sensing 115/230 VAC power supply
- PEMs for VESA flat-wall mount or side-mounting flange
- Polyethylene breather vent inhibits internal moisture buildup
- Red, green and arrow lights in stop/go version

APPROVALS*



*See Specific Part Numbers

Dimensions			
22-inch Enclosure (Four-inch Model)			
A	22.28 in (565 mm)	C	3.28 in (85 mm)
B	10.96 in (280 mm)	D	9.80 in (250 mm)
31-inch Enclosure (Six-inch and Stop/Go Models)			
A	30.63 in (780 mm)	C	3.73 in (95 mm)
B	13.94 in (355 mm)	D	12.77 in (325 mm)



Specifications

Display:

- 6-digit, 7-segment discrete oval precision optical performance red LED lamps
- Contrast enhanced optical filtering lens
- 1- or 2- place decimal or comma indication
- 4 annunciators for GR, NT, lb, kg
- 4-inch red, green ball/arrow in Stop/Go model

Maximum Viewing Distance:

- 4 in: 250 ft (75 m)
- 6 in: 300 ft (100 m)

Input Interface:

- RS-232, RS-485, 20 mA current loop (active or passive, switch selectable)

Output Interface:

- Independently configurable echo out port, RS-232 or 20 mA current loop (active or passive, switch selectable)

Input Data Format:

- Baud Rate: 1200, 2400, 4800, 9600 and 19200 self-learning or software selectable

Character Format:

- 7 or 8 data bits; even, odd, or no parity; 1 or 2 stop bits, self-learning or software selectable

Update:

- Continuous or out-of-motion only; software selectable

Power Consumption:

- 4 in: 21 watt
- 6 in: 27 watt

Time:

- Software enable/disable, 12- or 24-hour format

Date:

- Software enable/disable, US or ISO format

Rating/Material:

- IP66 weather tight, powder coated steel or stainless steel

Dimensions:

- Four-inch (L x H): 22.28 in x 9.8 in
- Six-inch (L x H): 30.63 in x 12.77 in
- Stop/Go (L x H): 30.63 in x 12.77 in (flanges add 2.00 in width)

Weight:

- 4 in: 20 lb (9 kg)
- 6 in: 25 lb (11 kg)

Operating Temperature Range:

- -40°F to 120°F (-40°C to 49°C)

Warranty:

- Two-year limited warranty

Approvals:

- UL/cUL on specific part numbers

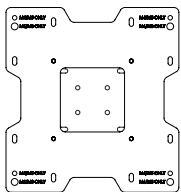
Part Number/Price

Part #	Description	Est. Weight	Price
Flange Mounted (included)			
167091	LaserLight2 remote display 4-inch (100 mm) includes PN 175305	20 lb	Consult
179521*	LaserLight2 remote display 4-inch (100 mm) marked UL/cUL includes PN 175305	20 lb	Consult
175286	LaserLight2 remote display 4-inch (100 mm) stainless steel includes PN 179883	20 lb	Consult
167092	LaserLight2 remote display 6-inch (150 mm) includes PN 175306	25 lb	Consult
179523*	LaserLight2 remote display 6-inch (150 mm) marked UL/cUL includes PN 175306	25 lb	Consult
167093	LaserLight2 remote display Stop/Go 4-inch (100 mm) includes PN 175306	25 lb	Consult
179525*	LaserLight2 remote display Stop/Go 4-inch (100 mm) marked UL/cUL includes PN 175306	25 lb	Consult
VESA Mounted (included)			
175860	LaserLight2 remote display 4-inch (100 mm) includes PN 175213	20 lb	Consult
179522*	LaserLight2 remote display 4-inch (100 mm) marked UL/cUL includes PN 175213	20 lb	Consult
175861	LaserLight2 remote display 6-inch (150 mm) includes PN 175213	25 lb	Consult
179524*	LaserLight2 remote display 6-inch (150 mm) marked UL/cUL includes PN 175213	25 lb	Consult
175862	LaserLight2 remote display Stop/Go 4-inch (100 mm) includes PN 175213	25 lb	Consult
179526*	LaserLight2 remote display Stop/Go 4-inch (100 mm) marked UL/cUL includes PN 175213	25 lb	Consult

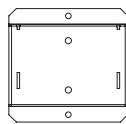
*UL/cUL on specific models

Options/Accessories

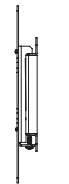
Part #	Description	Price
Consult	LaserLight2 green display (modified LED boards)	Consult
175305	Mount bracket, 4-inch flange option	Consult
175306	Mount bracket, 6-inch flange option	Consult
175213	Mount bracket, VESA flat-wall option	Consult
175052	Wireless interface, pair of ConnexLink Radios and mount	Consult
75856	Pole mount kit, 4-inch flange option (24-inch wide frame for 4-8 inch dia. pole)	Consult
7775	Pole mount kit, 6-inch flange option (32-inch wide frame for 4-8 inch dia. pole)	Consult
177865	Pole mount kit, VESA flat-wall option	Consult
178790	Offset kit for universal pole mount (requires PN 177865)	Consult
181224	Visor for 22 inch enclosure (not required for weather protection)	Consult
181801	Visor for 31 inch enclosure (not required for weather protection)	Consult



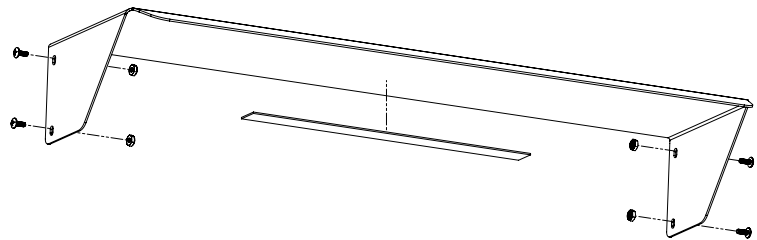
Front View
Adaptor Plate



Wall Plate

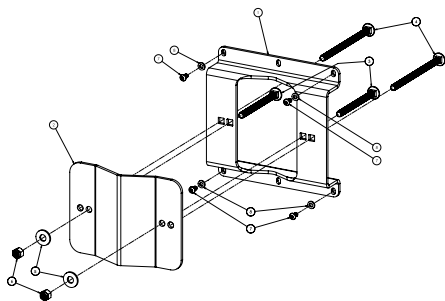


Side View
Adaptor Plate

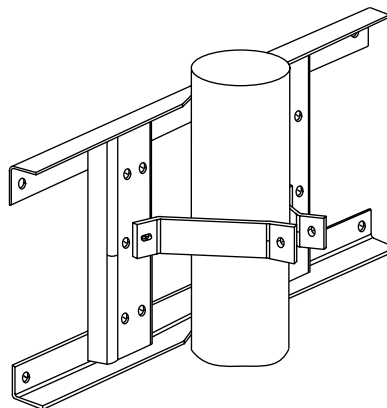


Visor option

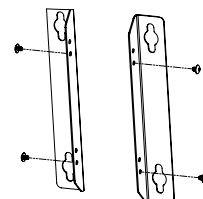
VESA flat-wall mount



VESA pole mount kit



Flange pole mount kit



Flange mount